

A99

The A-99 features the Solarcon **Twin Ring Adjust-A-Match** tuning making it possible to tune the input to the antenna and obtain the optimum S.W.R. over a range of frequencies. Raising the rings raises the frequency and lowering the rings lowers the frequency.

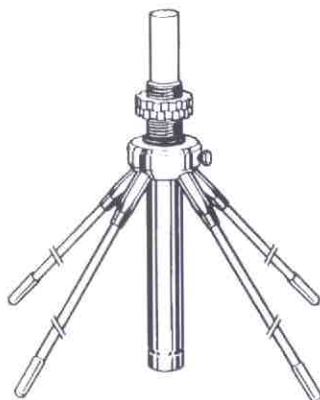
U.S. Patent #4,360,814. Canadian Patent #1,145,456. England Patent #2,046,529. Other patents pending.

Operates 10 thru 17 Meters With Tuner

Fiberglass Omnidirectional Base Station Antenna

- Covers far above and below the traditional C.B. channels for export, commercial and 10 meter ham band use, input 2000 watts P.E.P.
- The A99 is a half wave over a quarter wave variable mutual transductance tuned antenna
- Comes in three sections, easy to assemble
- Entire antenna radiates - 9.9 DBI Gain
- Will ship U.P.S. at regular rate. NOT OVERSIZE
- Each antenna individually tested
- Meets U.S. government CPSC shock hazard standards. Protects up to 14,500 volts

MODEL NO.	LENGTH	CONNECTOR	CASE QTY.
A-99	17'4"	SO-239	9
GPK-1	Each Radial 70"	Fits Bottom Sleeve A-99	9
A-99CK	Complete	A-99 and GPK-1	6

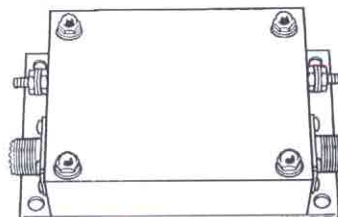


THE SKIP KIT **GPK-1** Groundplane kit for A-99

- Lowers angle of radiation for greater range
- Kit includes 1 collar and 4 fiberglass radials
- U.P.S. shippable at standard rates

- TVI, RFI problem solver
- Reduces interference with electronic Equipment
- DC to 30mHz band pass
- 1000 watt

Low Pass Filter	
MODEL NO.	CASE QTY.
LP99	6



SOLARCON
ANTENNA RESEARCH

(419) 865-5877 Fax (419) 865-9449